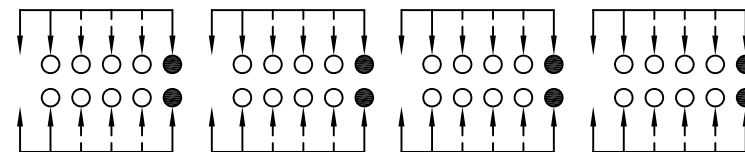
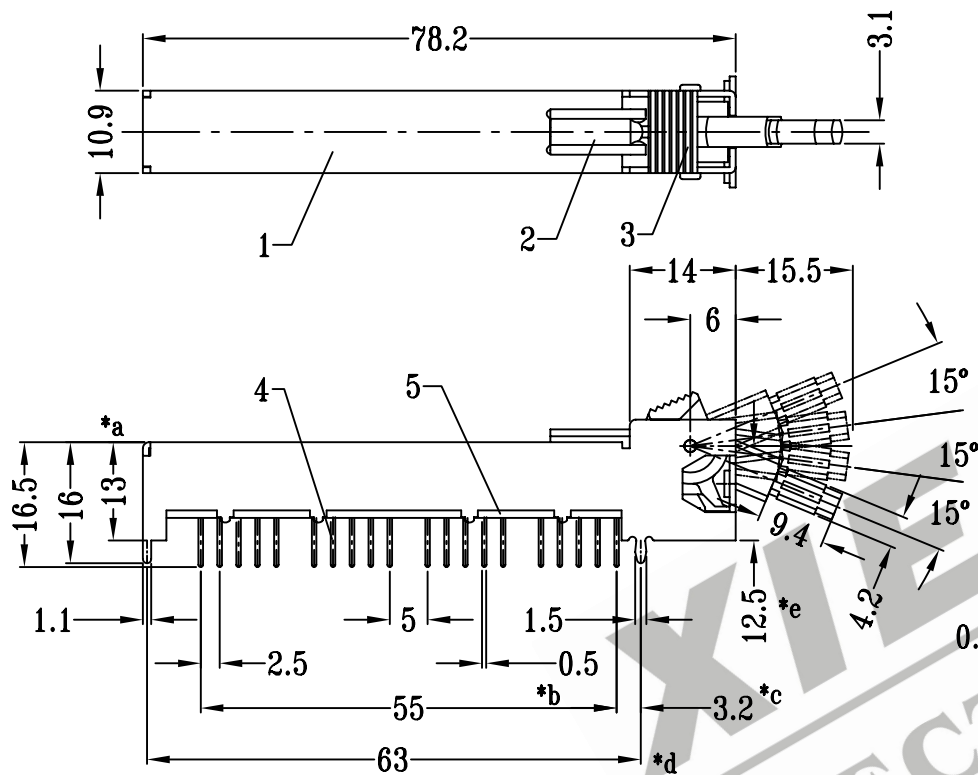
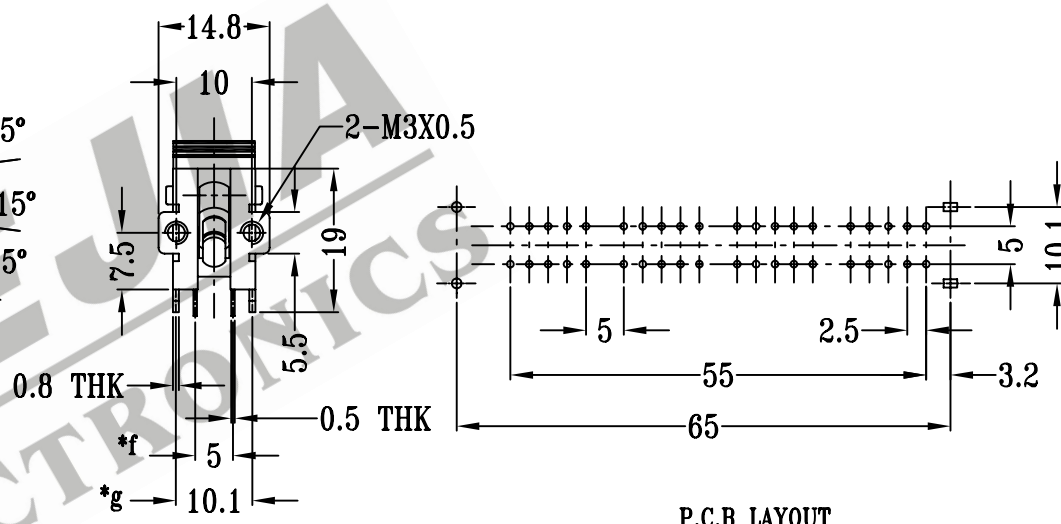


CAD FILE:



SCHEMATIC (NON-SHORTING)



P.C.B LAYOUT

10	CONTACT CLIP	PBS	8	Ag CLAD
9	RIVET	COPPER	1	Ni PLATED
8	SLIDER	POM	1	BLACK
7	STEEL BALL	STEEL	1	NATURAL
6	SPRING	STEEL WIRE	1	TEMPER
5	BASE	PHENOLIC RESIN	1	NATURAL
4	TERMINAL	BRASS STRIP	40	Ag PLATED OVER Ni PLATED
3	KNOB	POM	1	BLACK
2	SLEEVE	POM	1	BLACK
1	FRAME	STEEL STRIP	1	Ni PLATED
NO.	PART NAME	MATERIAL	Q'TY	FINISHING

注:带"\*"表示关键尺寸(7个)

TOLERANCE UNLESS SPECIFIED		SHENZHEN XIEJIA ELECTRONICS CO.,LTD.			
WITHIN: 1.5±0.1mm		ISSUE	DATE	DESCRIPTIONS	
OVER : 1.5±0.2mm				APPD.	
TITLE : TOGGLE SWITCH			UNIT : MM	DRWG NO.: XJ-DR-NS84E02-00	
MODEL: NS-84E02			SCALE: 1:1	DWN.	ZHOUYU
ALL MATERIALS MUST BE COMPLIANT TO ROHS				CHK'D	FANGYING
				APPD.	KANGXINAN
					2005-11-7
					2005-11-7
					2005-11-7